

CLTM CL Series

High Efficiency Oil-Fired Water Boiler



New Yorker[®]
RESIDENTIAL HEATING BOILERS



WHY

Why Hydronic Heat by New Yorker?



New Yorker has produced a variety of boilers for a wide range of applications with simple installation and service. As part of the New Yorker family of products, the CL oil-fired cast iron boiler delivers the proven features that have made New Yorker the choice of heating professionals nationwide.



For Years of Comfort

New Yorker cast iron boilers combine the economy and durability of cast iron with the reliability of high quality components.

An Economical Choice

The CL cast iron heat exchanger and boiler design maximize heat transfer for the most efficient use of fuel—saving valuable heating dollars. With an optional built-in tankless domestic water heater, it can also provide abundant hot water for your household. Add an Annual Fuel Utilization Efficiency (AFUE) up to 86% and the CL Series is an economical choice in home heating.

Durable

The CL Series' cast iron heat exchanger, with cast iron section connectors, resists petroleum based chemicals such as anti-freeze which can deteriorate rubber seals used by some competitors. What this means to you is increased longevity of your boiler's life.

Reliable

The New Yorker CL Series Boiler uses only name brand controls and accessories, giving you years of comfortable, reliable heating. The heat exchanger construction also meets the requirements of the ASME Boiler and Pressure Vessel Code which ensures the quality and safety of your boiler.

New Yorker stands behind the heat exchanger of the CL Series with a Lifetime Limited Warranty. See your installing contractor for more warranty information.

Easy to Own

- The cast iron heat exchanger is designed to allow cleaning access from the top or side — cutting time and cost on yearly service calls.
- A burner swing door provides easy access to the combustion chamber for fast and thorough servicing.
- The CL Series is available as a completely packaged boiler which saves time and money when installing.
- The CL heat exchanger has a high water capacity making it ideal for radiant floor heat and cast iron radiators.
- Adding a boiler powered hot water storage tank provides abundant hot water for domestic use, hot tubs, spas, and whirlpools.

Advantages of the CL Series

ADVANTAGES

Top Quality Components

are standard, including Beckett burners, Taco circulators, and Honeywell controls.



The Cast Iron Heat Exchanger provides long life and dependability.

Flame Retention Burner and natural draft firing ensure high efficiency combustion.

Cast Iron Section Connectors are resistant to chemicals and increase the longevity of your boiler.

Multiple Firing Rates allow you to match your specific household heating demands.

Deluxe Insulated Jacket increases efficiency by reducing stand-by heat losses.

Factory Installed Tankless Domestic Water Heater (optional)

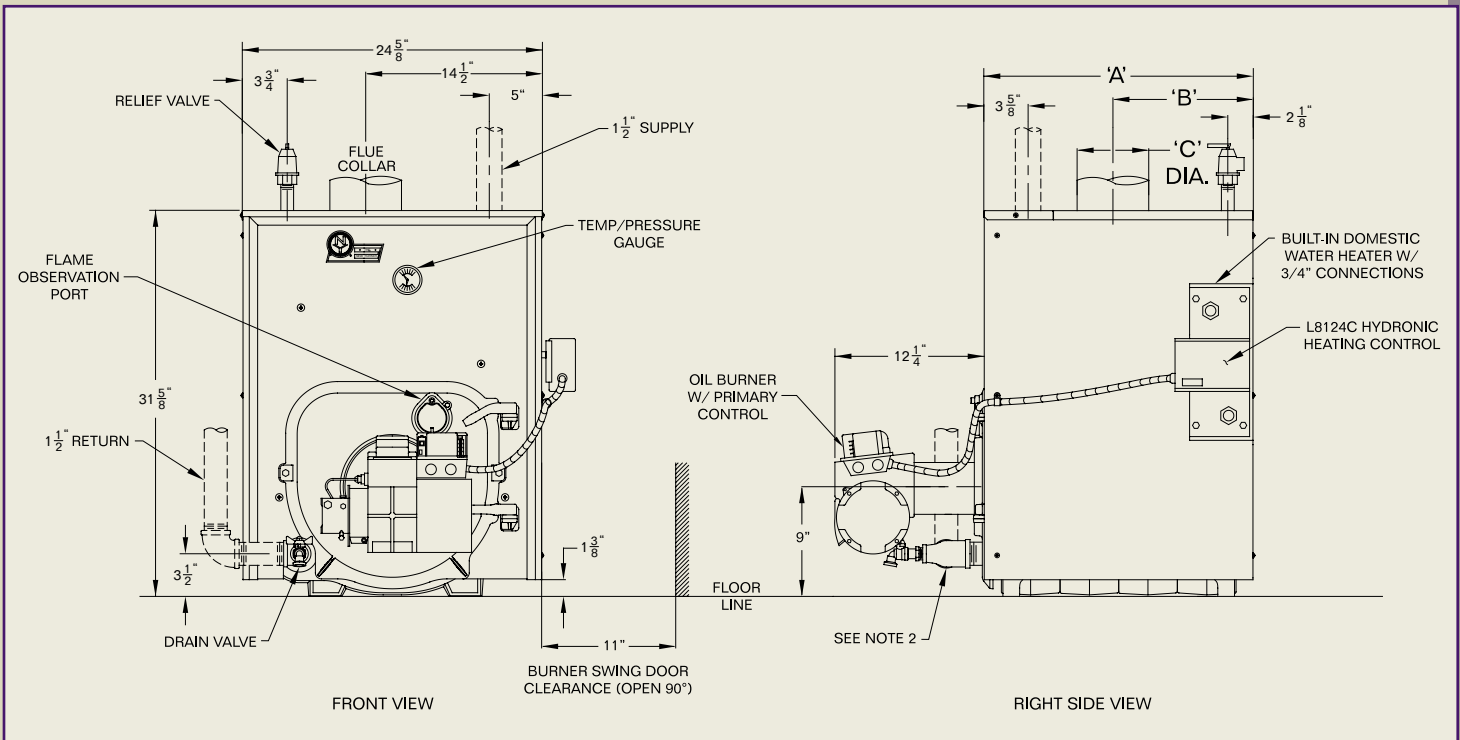
combines your home heating and hot water into one heat source — the CL boiler.

Cast Iron Wet Base Design

provides more heat transfer, for increased heating efficiency, by surrounding the flame with water-backed surfaces.

Water Ratings & Specifications

Model	DOE Heating Capacity	Net I=B=R Water MBH	I=B=R Firing Rate GPH	AFUE %	Minimum Chimney Requirements	Tankless Heater GPM	Jacket Depth 'A'	Jacket Rear to Center of Flue 'B'	Flue Collar Diameter 'C'	Approx. Shipping Weight
CL3-091	80	70	0.65	86.0	8" x 8" x15'	2.75	17-3/8"	8-1/4"	6"	560 lbs.
CL3-105	91	79	0.75	85.1	8" x 8" x15'	3.00	17-3/8"	8-1/4"	6"	560 lbs.
CL3-140	120	104	1.00	83.6	8" x 8" x15'	3.25	17-3/8"	8-1/4"	6"	560 lbs.
CL4-126	111	97	0.90	85.8	8" x 8" x15'	3.25	22-3/8"	10-7/8"	7"	680 lbs.
CL4-175	152	132	1.25	84.2	8" x 8" x15'	3.75	22-3/8"	10-7/8"	7"	680 lbs.
CL4-210	179	156	1.50	83.1	8" x 8" x15'	4.00	22-3/8"	10-7/8"	7"	680 lbs.
CL5-168	147	128	1.20	85.7	8" x 8" x15'	3.50	27-3/8"	13-3/8"	8"	800 lbs.
CL5-245	210	183	1.75	83.0	8" x 8" x15'	4.25	27-3/8"	13-3/8"	8"	800 lbs.
CL5-280	238	207	2.00	82.5	8" x 8" x15'	4.75	27-3/8"	13-3/8"	8"	800 lbs.



- Notes:
1. Circulator supplied loose — may be installed on supply or return.
 2. Return fittings and drain valve shipped loose.
 3. Piping shown hidden not furnished with boiler.



© 2007 New Yorker Boiler Company, Inc.
 Hatfield, PA
 (215) 855-8055
 www.newyorkerboiler.com
 PL81420101006-3/07-5Ms

